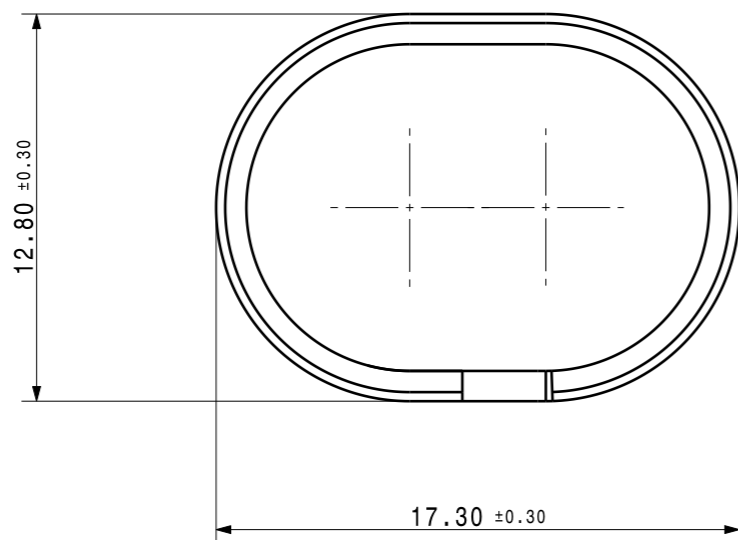
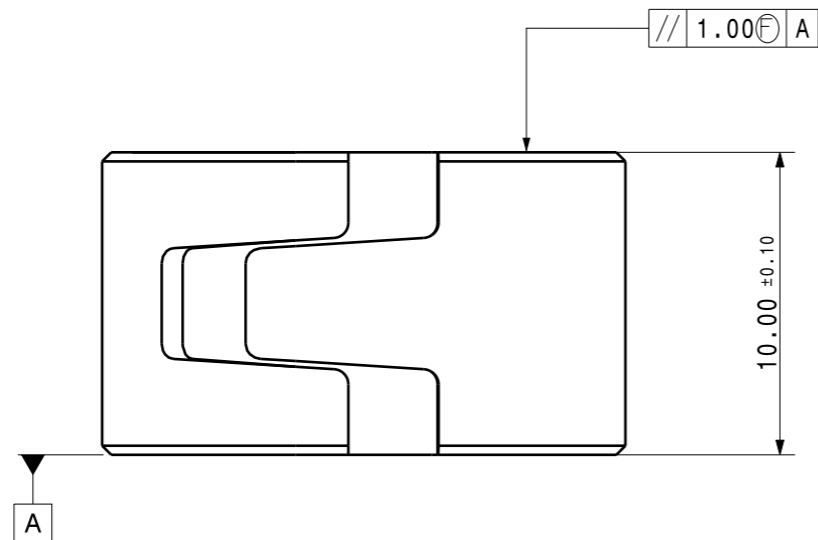


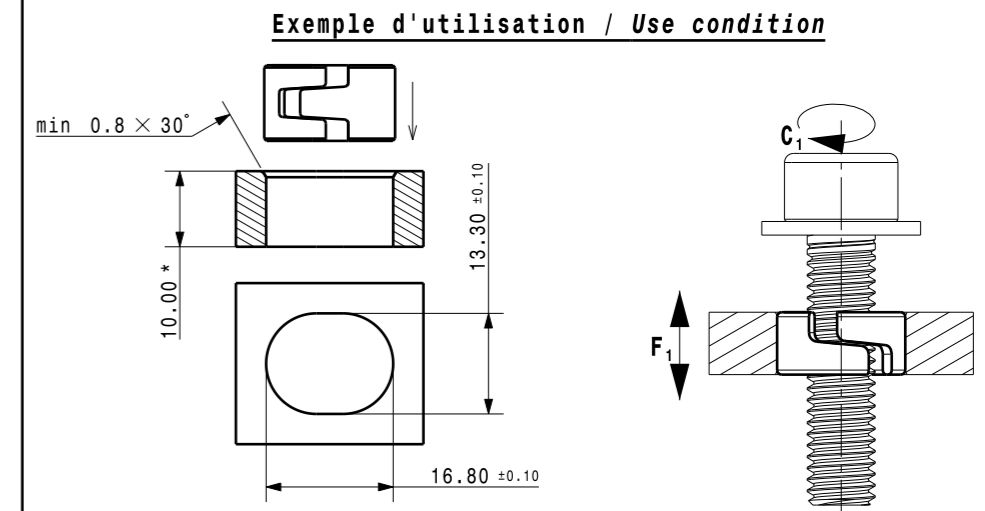
| Variant | Finitions / Finishes |
|---------|--|
| 00 | ZnFL Zn-Al + Si 8_min Magni 2.1 gris/grey |
| 01 | BRUT DE TREMPE |



- Logement intérieur bague POUR INFORMATION : 10,80mm +0/-0,30 x 14,80mm +0/-0,30
- Couple de serrage admissible C1 et tenue sur support F1 : à valider pour chaque nouvelle application
- Chanfrein d'entrée obligatoire
- Dans le cas d'une distribution automatique et/ou du surmoulage, le process doit être validé par ARaymond
- Ring inner room FOR INFORMATION : 10,80mm +0/-0,30 x 14,80mm +0/-0,30
- Admissible tightening torque C1 and pull out force F1 : to be validated for each application
- Introduction chamfer required
- If automatic distribution and/or overmoulding, ARaymond must validate the process



| REV. | Quant. | Indice / revision description | Date | Name |
|------|--------|-------------------------------------|----------|------|
| Bc | - | MISE A JOUR NOTA | 01.12.11 | QDE |
| Bb | - | MISE A JOUR CONDITION D'UTILISATION | 09.05.11 | QDE |



* Epaisseur modifiable / Adjustable thickness



113 cours Berriat BP 157
France - 38019 Grenoble cedex 1
Tel +33 (0) 4 76 33 49 49
Fax +33 (0) 4 76 78 20 50

Si probleme de comprehension, merci de demander la version francaise a ARaymond avant toute utilisation.

If the addressee does not accept these conditions, please notify A.Raymond sender immediately. This drawing and all information (the Drawing) disclosed are the exclusive property of A.Raymond. By using this Drawing the Addressee acknowledges and accepts that this Drawing (1) is covered by A.Raymond intellectual property rights or know-how, and, (ii) is provided under the following conditions who represent a Deposit Agreement. This Drawing is for Addressee' internal use only limited to its estimation. Without prior written consent of A.Raymond, no permission or rights for any purpose, is hereby granted, such as, without any limitation, (1) the copy, in part or entirely (2) and/or the presentation, in part or entirely, to any other third party outside the Addressee' company or in the company but with no interest (3) and/or the distribution of the Drawing, in part or entirely, in any medium (4) and/or the creation of any derivative work. In case of breach of these conditions, Addressee shall indemnify A.Raymond from and against all damages (compensatory or consequential), costs, expenses and charges, caused or arising out of or attributable to its willful misconduct, fraud, negligence, infringement of A.Raymond' Intellectual Property rights.

| | | | |
|-----------------------------------|------------------|--|--------------------|
| Brevets / Patent rights | | Safix code XXXXX | |
| N° Projet | Origine / Origin | Chef de projet / Project Manager COCHARD.M | |
| Echelle / scale 4:1 | Format A3 | Tolerance / General tolerance Dimension Angle ± 0.50 ± 5.00° | Date |
| ALL DIMENSIONS ARE IN MILLIMETERS | | Realise / Prepared by DELAHOUSSE.Q | |
| Epaisseur / Mat. thickness 1,00 | | Approuve / Approved 20111201144743 | Volume (mm³) 426,9 |
| | | Poids / Weight (g) | - |

Finition / finish Voir nomenclature See parts list

Traitement structural / Material treatment C67S CR : >0,5 : TTH.HR 30 N : 61,3 a 64,7 (42 a 46 HRC)

Matiere / Material ACIER C67S - A (recuit) G

Libelle / Title Bague anti-fluage OBLONGUE Anti-creep ring OBLONG

Reference / Part no. 214278-0-00

Ref. client / Customer part no. CAD system & version CATIA V5 R19 SP7 Nom fichier / File name 214278-0C00

VERIFIER L ECHELLE APRES PHOTOCOPIE / BEWARE SCALE AFTER COPY

4
3
2
1

H G F E D C B A