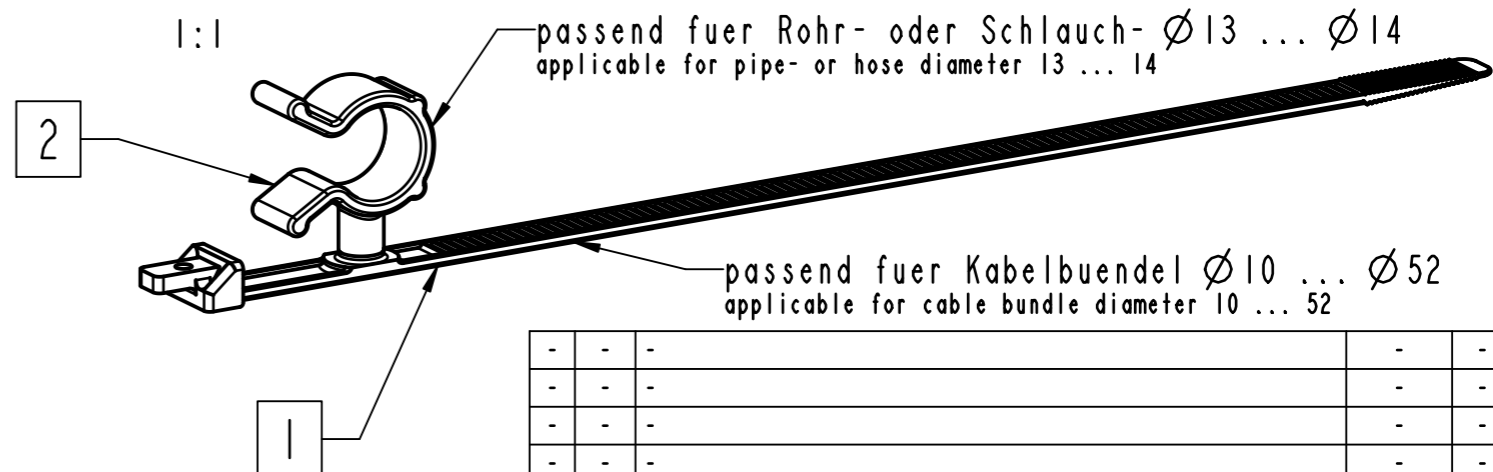
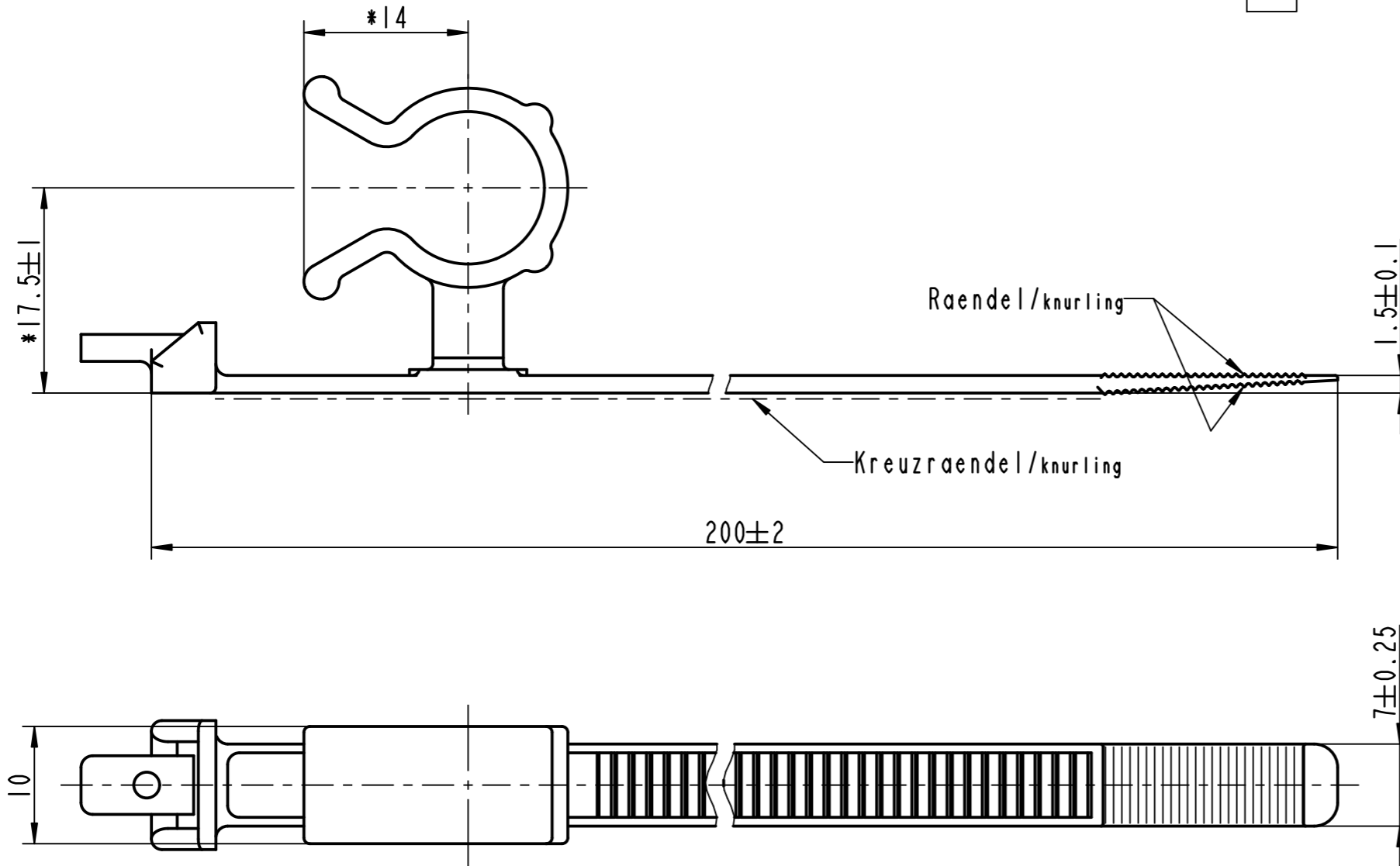


* Mass ist bei eingedrücktem Pruefstift $\varnothing 13$ zu messen
dimension must be measured with preassembled test pin $\varnothing 13$

Abzugskraft vom POM-Gegenstueck mind. 40N bei Raumtemperatur
Pull-off force of POM-counterpart min. 40N at room temperature $+23^{\circ} \pm 5K$



-	-	-	-	-
-	-	-	-	-
-	-	-	-	-
-	-	-	-	-

Rev.	Anzahl/quantity	Aenderungsbeschreibung / modification description	Datum/date	Name
Aa	-	Zeichnung ueberarbeitet nach AR-Gruppenstandard, Teil unveraendert	22.10.12	kl

ARaymond
A RAYMOND GmbH & Co. KG

Teichstrasse 57
Germany - 79511 Loerrach
Phone +49 (0) 7621 174-0
Fax +49 (0) 7621 174-225

Bei Verstaendnisproblemen beantragen Sie bitte beim Absender die deutsche Fassung vor jeder Anwendung.
"CONDITIONS OF USE"
This drawing and all information (the "Drawing") disclosed are the exclusive property of ARaymond. By using this Drawing the Addressee acknowledges and accepts that this Drawing (1) is covered by ARaymond's intellectual property rights or know-how and (2) is provided under the following conditions who represent a Deposit Agreement. This Drawing is for Addressee's internal use only limited to its estimation. Without prior written consent of ARaymond, no permission or rights for any purpose, is hereby granted, such as, without any limitation, (1) the copy, in part or entirely, (2) and/or the presentation, in part or entirely, to any other third party outside the Addressee's company or in the company but with no interest (3) and/or the distribution of the Drawing, in part or entirely, in any medium (4) and/or the creation of any derivative work. In case of breach of these conditions, Addressee shall indemnify ARaymond from and against all damages (compensatory or consequential), costs, expenses and charges, caused or arising out of or attributable to its willful misconduct, fraud, negligence, infringement of ARaymond's intellectual property rights. If the Addressee does not accept these conditions, please notify ARaymond's sender immediately.

Schutzrechte/ IP rights	vorbehalten / all rights reserved		Classification Code	BBA--
Ersatz fuer/ substitute for	081363_C_01/A/03.08.2005	Entw.Ref./ dev.ref.	Projekt-Nr./ project no.	5324-K

Masstab/ scale	Format	Allgemeintoleranz/ general tolerance	Datum/ date	22.10.2012
2:1	A3	$\pm 0.5 / \pm 5^{\circ}$	Erstellt von/ prepared by	Klar

Projektion / projection	ALL DIMENSIONS ARE IN MILLIMETERS	Freigegeben/ approved	20121022101734
Bleedicke/ mat. thickness DIN EN 10140	-	Volumen/ volume (mm ³)	3322
		Gewicht/ weight (g)	3.9

Oberfl./ finish	-	Oberfl. Code/ finish code	-
-----------------	---	---------------------------	---

Werkstoffbehandl./ material treatment	-
---------------------------------------	---

Werkstoff/ material	-	Mat. code	8800
---------------------	---	-----------	------

Benennung/ title: **Kabelband / Schlauchhalter drehbar**
cable strap / hose clip rotatable

Teil-Nr./ part no.	081363-0-00	Drawing type	C:Customer
--------------------	-------------	--------------	------------

Kundenteile-Nr. / customer part no.	-	Blatt / sheet	1 / 1
CAD system & version	ProE WF4	Dateiname / filename	081363-0C00



2	1	015782-0-03	POM - C - Standard	schwarz black	SW	7000
1	1	014269-0-00	PA 12 - halbflexibel PA 12 - semiflexible	schwarz black	SW	
Pos.	Anzahl/ quantity	Teil-Nr. / part. no.	Werkstoff / material	Oberflaeche / Farbe / finish / colour	ZSB_Oberfl. Code finish code	